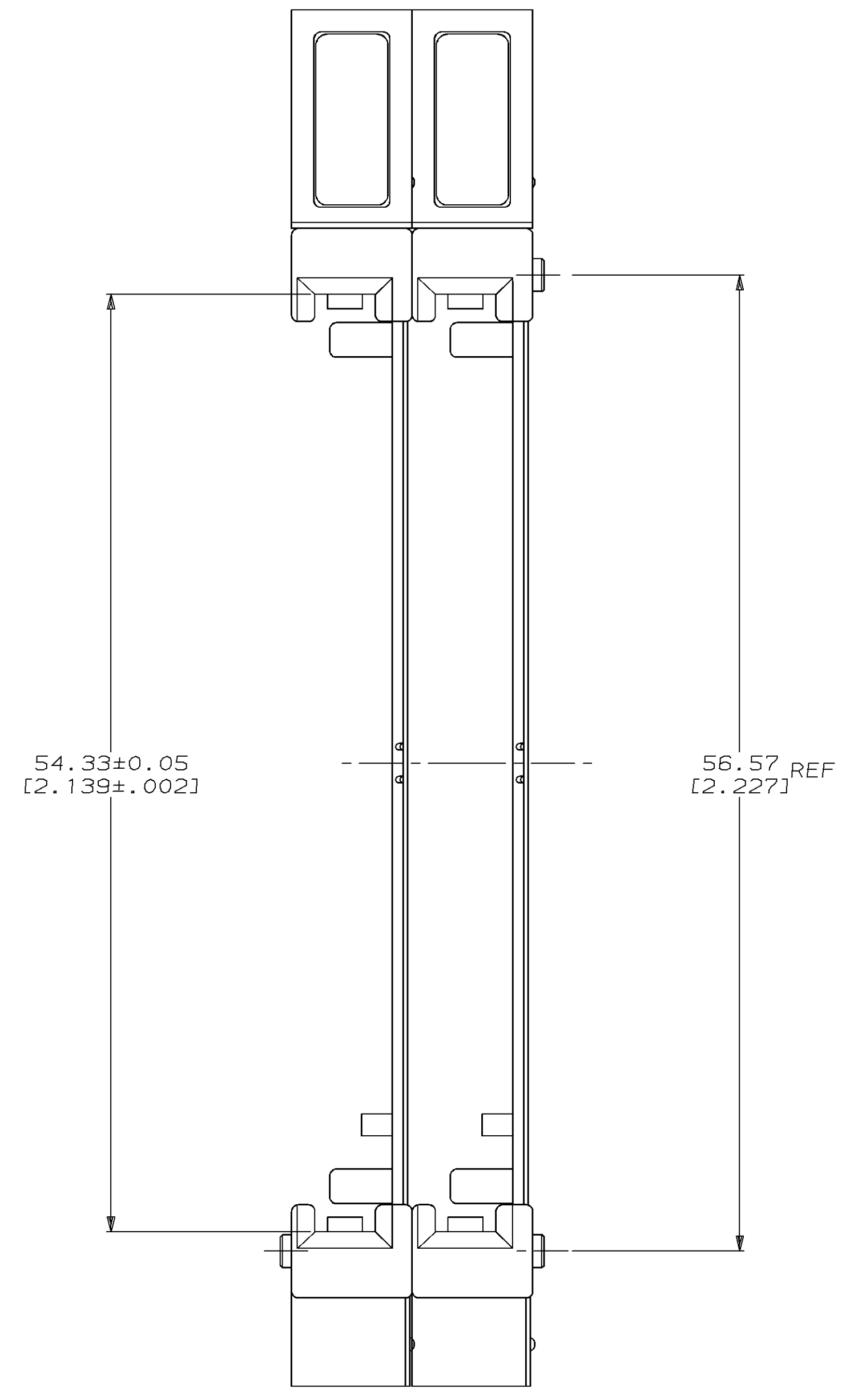
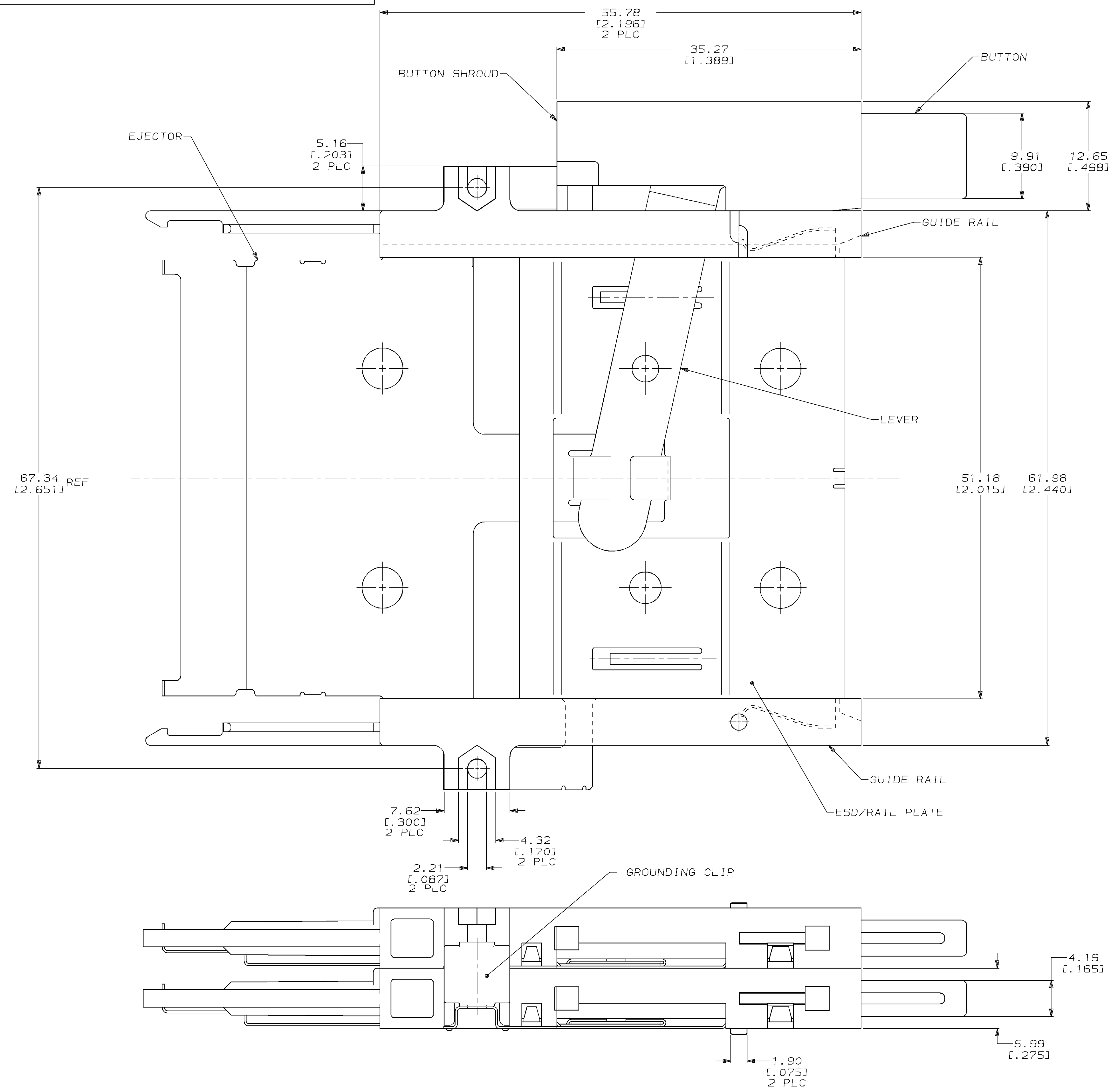


| LOC | | DIST | | P | | F | | ZONE | | LTR | | REVISIONS | | | |
|-----|----|------|--|---|--|---|--|------|--|-----|--|-------------|------------------|---------|----|
| AD | 39 | | | | | | | | | | | DESCRIPTION | DATE | APPD | |
| | | | | | | | | | | | | 0 | RELEASED PER PPR | 8/15/94 | BE |



THIS DRAWING IS A CONTROLLED DOCUMENT FOR AMP INCORPORATED. IT IS SUBJECT TO CHANGE AND THE CONTROLLING ENGINEERING ORGANIZATION SHOULD BE CONTACTED FOR THE LATEST REVISION.

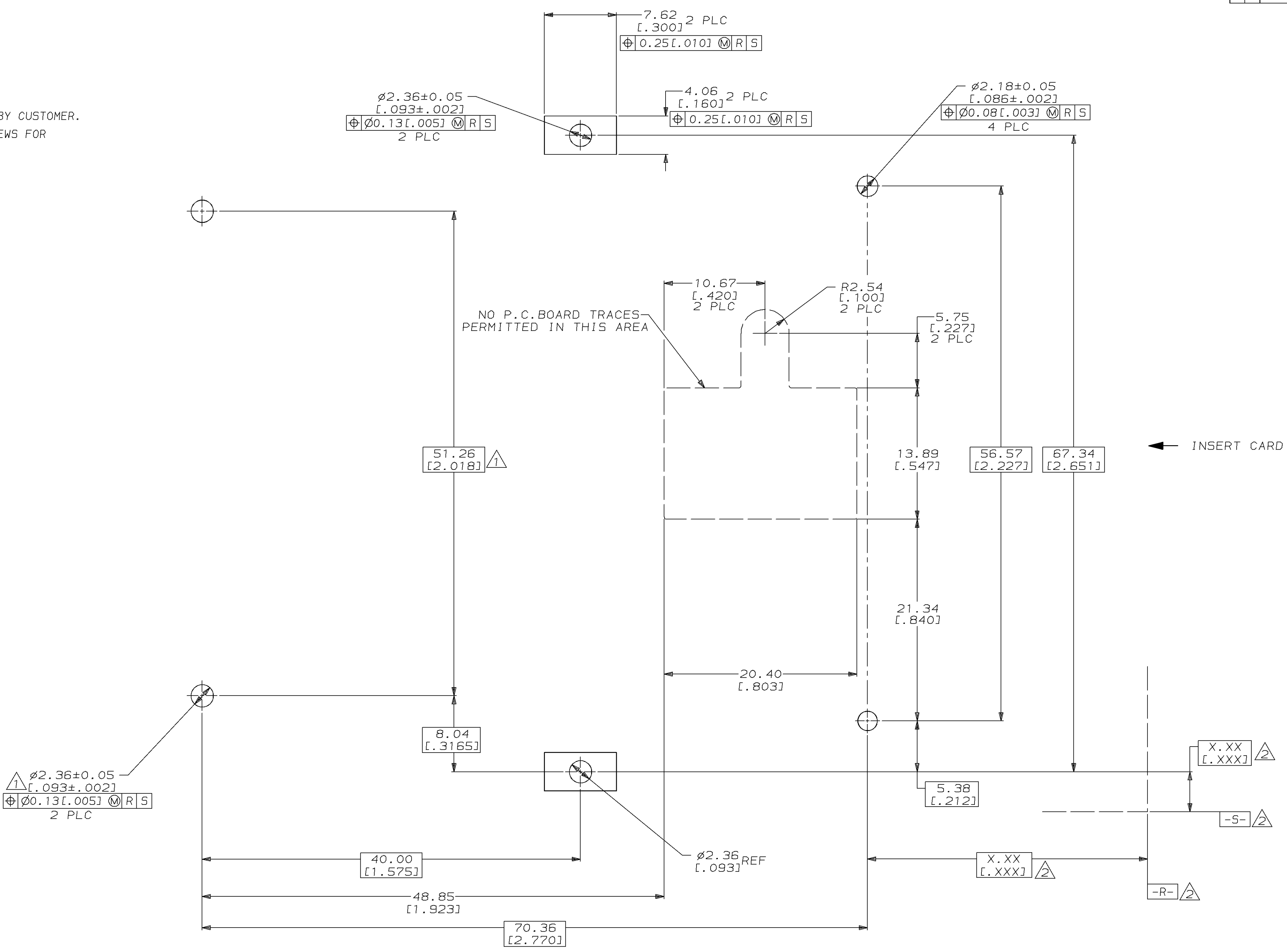
DO NOT SCALE PRINT.
 UNLESS SPECIFIED
 DIMENSIONS IN mm [INCHES]
 TOLERANCES: ON +
 2 PLC DEC ± 0.13 (.005)
 3 PLC DEC ± -
 ANGLES ± -
 MATERIAL
 GUIDES, SHROUDS & BUTTON:
 LCP, COLOR, BLACK
 EJECTOR, RAIL PLATE, LEVER
 & GROUNDING CLIP: STAINLESS STEEL
 FINISH
 -

| | |
|------------------|----------------------|
| DR | 8/15/94 D WERTZ |
| CHK | 8/15/94 B ELICKER |
| APPD | 8/15/94 B ELICKER |
| APPD | 8/15/94 B ELICKER |
| PRODUCT SPEC | - |
| APPLICATION SPEC | - |
| WEIGHT | 34.2 GRAMS |

| | | |
|--|--------------------|------------------------|
| 146157-1 | | |
| PART NO | | |
| AMP Incorporated Harrisburg, PA 17105-3608 | | |
| NAME ASSEMBLY, STACKED EJECTORS, FLIPPED TOP EJECTOR, RIGHT SIDE BUTTONS, AMP MEMORY CARD | | |
| SIZE D | CAGE CODE 00779 | DRAWING NO ©-146157 |
| SCALE 4:1 | SHEET 1 OF 2 | |
| CUSTOMER DRAWING | | |

| LOC | | DIST | | REVISIONS | | |
|-----|----|------|---|-----------|-----|---------------|
| AD | 39 | P | F | ZONE | LTR | DESCRIPTION |
| | | | | 0 | | SEE SHEET ONE |

1. HEADER MOUNTING HOLE LOCATIONS
2. DATUMS & BASIC DIMENSIONS ESTABLISHED BY CUSTOMER.
3. ASSEMBLY REQUIRES USE OF 2-SIZE 2M SCREWS FOR FASTENING TO PRINTED CIRCUIT BOARD.



RECOMMENDED BOARD LAYOUT

DO NOT SCALE PRINT.
 UNLESS SPECIFIED
 DIMENSIONS IN mm [INCHES]
 TOLERANCES ON:
 2 PLC DEC ± 0.13 [.005]
 3 PLC DEC ± -
 ANGLES ± -
 MATERIAL -
 FINISH -
 WEIGHT -

| | |
|------------------|----------------------|
| DR | 8/15/94 D WERTZ |
| CHK | 8/15/94 B ELICKER |
| APPD | 8/15/94 B ELICKER |
| APPD | 8/15/94 B ELICKER |
| PRODUCT SPEC | - |
| APPLICATION SPEC | - |

| PART NO | |
|---|----------|
| AMP AMP Incorporated Harrisburg, PA 17105-3608 | |
| NAME ASSEMBLY, STACKED EJECTORS, FLIPPED TOP EJECTOR, RIGHT SIDE BUTTONS, AMP MEMORY CARD | |
| SIZE | D |
| CAGE CODE | 00779 |
| DRAWING NO | ©-146157 |
| SCALE | 4:1 |
| SHEET | 2 OF 2 |

THIS DRAWING IS A CONTROLLED DOCUMENT FOR AMP INCORPORATED. IT IS SUBJECT TO CHANGE AND THE CONTROLLING ENGINEERING ORGANIZATION SHOULD BE CONTACTED FOR THE LATEST REVISION.